

# Portlate

## Hakuba Bride

resort photo wedding

The plan allows you to purchase large-sized special photos with mounting boards. We will carefully create each precious photo, a once-in-a-lifetime memory.



1 page / 1 pose / per book **¥7,900**



3 page / 3 pose / per book **¥18,300**



2 page / 2 pose / per book **¥11,200**

If you order two or more of the same photo mounts, a 10% discount will be applied for each additional mount in your order.

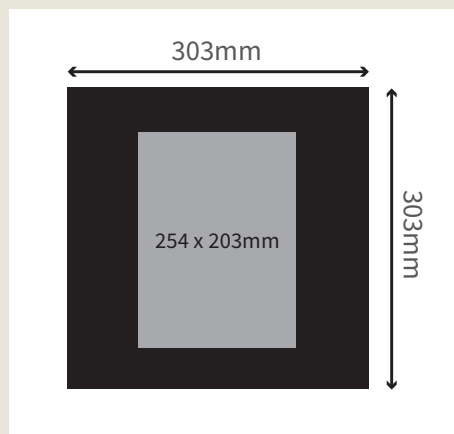
All prices include tax



Each book will be delivered in a box



Available in two colors: beige and black



# Basic Photo book

## Hakuba Bride

resort photo wedding

Here are the specifications for the regular photo album. The photo printing surface is coated with varnish to enhance the color of the photos. Our dedicated designer will design your precious photos.

Size	Pages	Design	Complete
216 x 216 mm	20P		
305 x 305 mm	30P	About 1 week	About 2 weeks
297 x 210 mm	40P		

Size	Pages	Album price ( photography fee not included )
216 x 216 mm	20P	¥30,500
	30P	¥45,800
	40P	¥77,500
305 x 305 mm	20P	¥44,000
	30P	¥48,500
	40P	¥92,000
210 x 297 mm	20P	¥33,500
	30P	¥55,500
	40P	¥78,000

Basic specifications: Hardcover binding / Matte lamination on cover / Inkjet print / folder included  
If you order two or more copies of the same album, a 30% discount will be applied for each additional copy in your order.

All prices include tax



Photo book with a hard cover

The size of the sample above is 305 x 305mm.



High quality photo printing



Clear folder included

# Flat Photo book

## Hakuba Bride

resort photo wedding

A photo book that can be opened to 180 degrees for a flat layout. Our dedicated designer will design your precious photos.

Size	Pages	Design	Complete
216 x 216 mm	20P		
266 x 266 mm	30P	About 1 week	About 2 weeks
263 x 186 mm	40P		

Size	Pages	Album price ( photography fee not included )
216 x 216 mm	20P	¥32,000
	30P	¥48,500
	40P	¥79,000
266 x 266 mm	20P	¥43,500
	30P	¥47,000
	40P	¥91,000
263 x 186 mm	20P	¥34,500
	30P	¥56,500
	40P	¥79,000

Basic specifications: Hardcover binding / Matte lamination on cover / Inkjet print / folder included  
 If you order two or more copies of the same album, a 30% discount will be applied for each additional copy in your order.

All prices include tax



Photo book with a hard cover  
 The size of the sample above is 305 x 305mm.



A flat-type book that can be opened 180 degrees



Clear folder included